

These directions are for standard shades

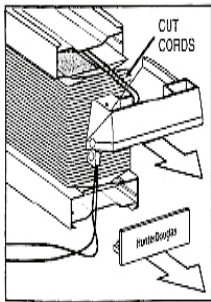
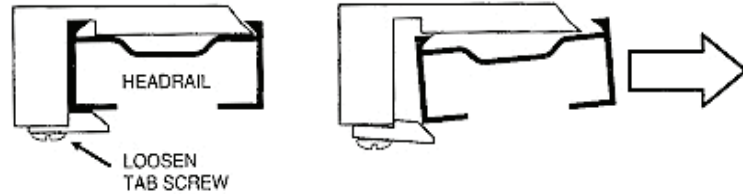
Top Down Bottom Up Shades, have a shade on top of a shade. So restring it like 2 shades.
The middle rail is the bottom of the top shade and the top of the bottom shade.

NOTE: These directions are for the most commonly sold cellular shades. The instructions will work for most other cellular/honeycomb shades and pleated shades. Some cord locks may be on side of headrail or on the front of the headrail and may require fewer or more steps to complete the repair.

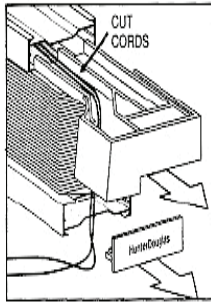
Cord Replacement & Tune-Up

Step 1) Remove the shade assembly from the installation brackets: Raise the shade all the way to compress the fabric. Loosen the tab screw on the back of each mounting bracket. Tilt the back of the headrail down to remove the rail from the brackets (Figure 1). Place the shade assembly on a clean work surface. Note: If you have a steel bracket without the tab screw, the shade may be removed utilizing the same tilting action shown.

Figure 1: Loosen the tab screw and tilt the back of the headrail down to remove the shade assembly from the installation brackets.



(Figure 2)

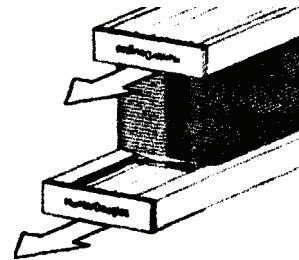


(Figure 3)

Step 2)

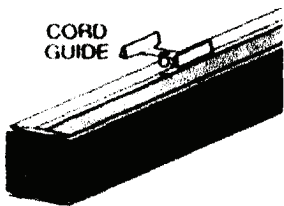
Remove the cord lock with its cover from the headrail and remove one end cap from the moving (bottom) rail: Your shade may be equipped with either cord lock "A" (Figure 2) or "B" (Figure 3). After noting how the cords are threaded through the cord lock, cut the cords at the end of the rail and pull the cut ends through the cord lock. Retain the cord lock with its cover and end cap for re-use. Pull the cut cords through the cord lock and discard them, unless a stop-ball is used; retain all the components of your stop-ball system for re-

Step 3) Remove the rails from the fabric (Figure 4). Slide the rails off the end of the fabric opposite the cordlock. Notice that only the top and bottom cells of the fabric stack fit inside the rails. These cells are reinforced with an aluminum slat or a stiff plastic material, called "filler strips".



(Figure 4)

Important: Do not remove or change the position of the filler strips.



(Figure 5)

Step 4) Pull the washers and cord lengths from the bottom of the fabric stack. Discard the string and save any other parts. You may need to reuse them.

Step 5) If the cord guides (Figure 5) are worn, rotate them 180 degrees so that you can use the unworn edge. You may need to swap them with the ones that are inside the bottom rail. The cord guides fit through the holes in the top cell and filler strip. The cord guides should align with the edges of the fabric.

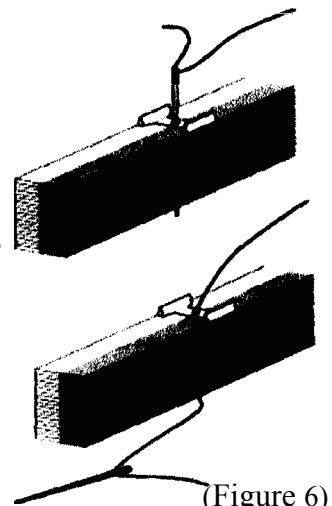
Step 6) Measure and cut one cord length for each rout hole in the shade. The length of each new cord should be equal to twice the shade height plus the shade width.

(Figure 7)



Step 7) Thread the cord through the of the restring needle. Gently past the needle through the cord guide and rout holes in the fabric stack. Once the needle is through the bottom part of the fabric and cord guide pull it from the bottom. Repeat this procedure for each cord rout hole as shown (Figure 6).

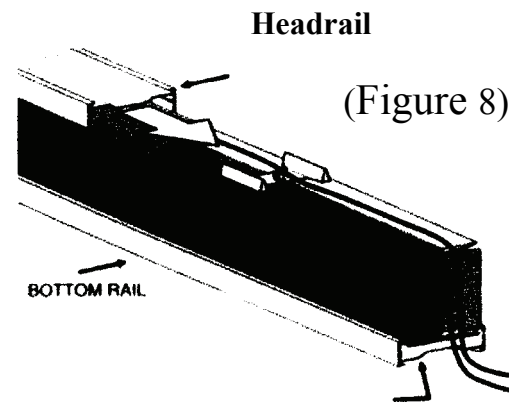
Step 8) Tie a plastic washer onto the bottom end of each cord. The washer prevents the cord from slipping back through the fabric stack. Tie a triple knot below the washer as shown (Figure 7). Any excess cord will be hidden when the bottom rail is re-installed. Pull the cord from the top of the fabric to make the washer snug against the bottom.



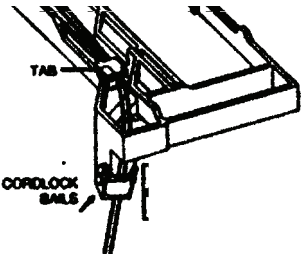
(Figure 6)

Step 8) Slide the bottom rail onto the bottom cell and filler strip. The cell fits into the large opening in the rail, called the fabric channel (Figure 8). Be careful not to snag the fabric when sliding on the rail.

Step 8) Slide the headrail onto the top cell and filler strip (Figure 8). Run the cords along the center of the top cell toward the cord lock side of the fabric stack. Keep the cords neat and do not cross them. Maintain a slight tension on the cords when sliding on the rail, and make sure the tops of the cord guides remain straight. Again, be careful not to snag the fabric.



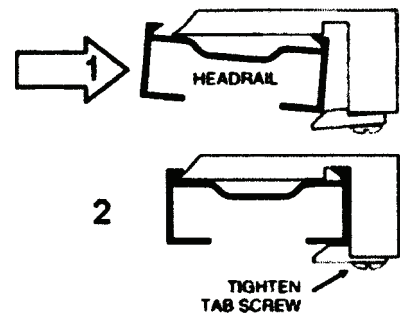
Step 9) By hand, at the top of the cord lock, route the cords along the cord channel out the end of the Cordlock. (Thread the cord lock with its attached cover) (Figure 9)



(Figure 9)

Note: The cord locks shown here are just a sample of the most common ones on the market. Your cord lock may look different and may require additional steps to complete the repair.

Step 10) Install the cord lock and end cap onto the rails (Figure 8). Push the end cap securely onto the bottom rail. Slide the cord lock with its attached cover along the cords to the end of the headrail. Push the cord lock onto the headrail, keeping tension on the cords to avoid pinching or twisting them.



Step 11) Re-install the shade assembly. Be sure the cord lock is locking the cords to hold the fabric compressed. With the cord lock facing you, slip the headrail into the installation brackets (Figure 9). The front lips on the brackets fit into the front groove on the top of the rail. Push on the rail until it snaps into place. Make sure that no fabric is trapped between the back side of the headrail and the tabs on the installation brackets. Use a screwdriver to tighten the tab screw on each bracket until it is just snug.

Important: Do not over tighten the screws.

Step 12) Install the metal ball joiner onto the lift cords. The bottom rail should be raised all the way and the cords should be hanging freely from the cord lock. The metal ball joiner will be placed on the strings about where the bottom rail will rest.

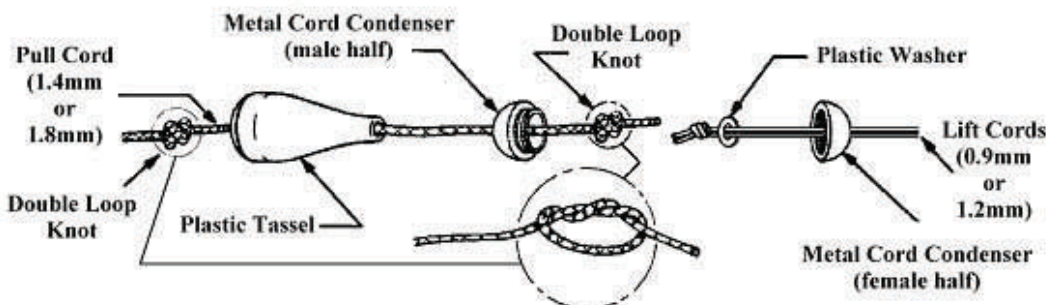
Note: Your shade may be equipped with just an metal ball joiner or it may use some other type of device, such as a equalizer, to con-

Step 13) Adjust the shade assembly. Lower the shade until it is completely extended to the desired length. Loosen the equalizer by holding the cords and sliding the body upwards to release the wedge. Level the bottom rail by pulling on each cord individually, or adjust the shade drop by moving the cords as a group. Then, while holding the lift cords at equal tension, move the equalizer body against the cord lock and slide the wedge securely into the body making sure the locking tab is against the cords holding them securely in place.

Procedures When a Ball Condenser Is Used

Step 14) (Optional) Disassemble the ball condenser. Insert the lift cords through one end and place a plastic washer on the cords. Tie a knot in them once the shade is in the proper position. Do not cut the cord until you make sure the shade raises and lowers evenly and completely. Trim the lift cord leaving about one half of an inch remaining below the knot. Attach the pull cord through the other end of the metal ball and tie a knot in it. Attach the tassel to the other end of the pull cord.

Assembly of Pull Cords & Metal Ball Condenser

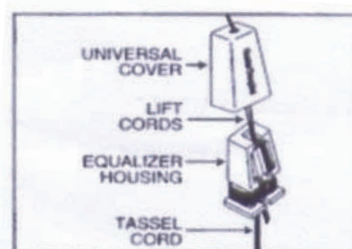
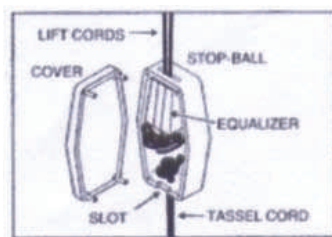
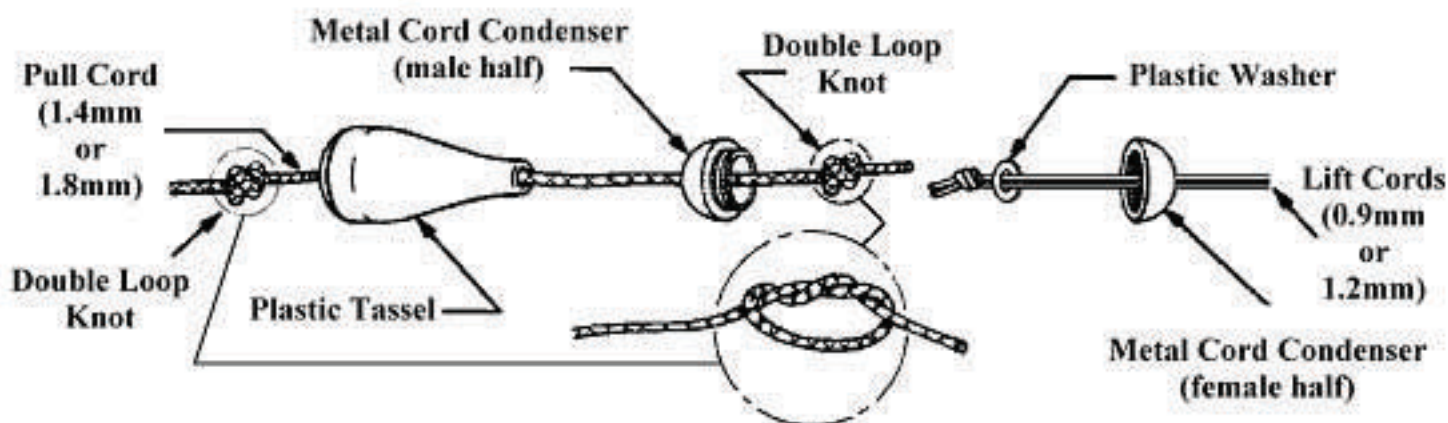


Procedures When a Ball Condenser Is Used

Step 14) (Optional) Disassemble the ball condenser. Insert the lift cords through one end and place a plastic washer on the cords. Tie a knot in them once the shade is in the proper position. Do not cut the cord until you make sure the shade raises and lowers evenly and completely. Trim the lift cord leaving about one half of an inch remaining below the knot. Attach the pull cord through the other end of the metal ball and tie a knot in it. Attach the tassel to the other end of the pull cord.

Step 15) Tie on the tassel. With the shade closed, thread the cords through the tassel and tie a double knot in the cords (you may need to use a plastic washer) where you want the tassel to hang. Typically, this is about two-thirds down the shade from the cordlock. Keep the cords taut when you tie them to avoid any slack. Trim off the excess cord.

Assembly of Pull Cords & Metal Ball Condenser



For More Information:
Venetian Blind Repair Shop
[Address: 1704 E 29th St.](http://www.venetianblindrepair.com)
Vancouver, WA 98663
Phone: 360-696-8308
ed@shaderestring.com